

Instek Digital™ mobile NVR VN5600 series is worlds smallest mobile video recorder, only measuring 108 x 163.8 x 44 mm. It has been designed for transportation purposes, such as public busses, city subways and marine vessels. The fanless design makes this mobile NVR silent and compact, and easily to mount on any vehicle, train or marine.

Its shock-proof design makes it ideal for vibrating environments like transportation applications. Recorded video data will always be save and ensured of high quality.

Video data can be directly viewed on the bus, train or boat by connecting a display to the device. It also supports Wi-Fi video data can be immediately transmitted to the control room for viewing and analyses. Utilizing Instek Digital™ VMS Command Center, video data can be viewed (live and playback) remotely. In any case of an event, control room staff will be immediately be informed.



Key Features

- eMark, ISO7637, EN50155, EN50121, DNV 2.4 and IEC60945 certificated
- Supporting Wi-Fi
- Fanless with operating temperature rage of -40°C ~ +70°C (EN50155 class TX)
- Intelligent power management solution
- Compact size with rich multiple I/Os, DIN rail and wall mount supported
- 2 x full size mini PCIe card slots, 1 x SIM card socket for various applications
- Full compatible with Instek Digital™ VMS Command Center
- ONVIF supported

INSTEK DIGITAL

Instek Digital is a video surveillance business unit of Good Will Instrument Co., Ltd. and focus on the development of high quality digital surveillance solutions. The company inherited over 20-years of surveillance experience. Instek Digital has the luxury of a strong financial background supported by Good Will Instrument Co., Ltd. – has over 40-years of electronics R&D and manufacturing experience. And Good Will Instrument Co., Ltd. is also listed on the Taiwanese Stock Exchange.

Instek Digital offers a wide array of video surveillance software and hardware – under the brand of Instek Digital. The core design are based on the following principles; “User-Friendliness”, “Scalability” and “Reliability”. Instek Digital’s solutions are based on an open platform – creating seamless third party integration. With this concept Instek Digital has created a business model that can meet every aspect in today’s surveillance demand. The results speak for themselves – based on small and large projects that we have deployed around the world.

System	Function	mobile NVR	
	Operating system	X86 Linux	
	Camera channels	up to 16	
	Supported codecs	H.265 / H.264 / MPEG4 / MJPEG	
	Construction	aluminum extrusion and heavy-duty steel	
	System I/O		
	<i>Front</i>	2 x RS232/422/485 1 x DI/DO 1 x VGA 2 x USB2.0 1 x remote switch 1 x reset button 4 x antenna opening	
	<i>Rear</i>	option#1: 2 x M12 A-coded GbE LAN + 1 x M12 A-coded DC power input option#2: 2 x RJ-45 GbE LAN + 1 x Phoenix DC power input 2 x audio (mic-in/lin-out) (optional)	
	Watchdog timer	255 levels, 0 - 255 seconds/minutes	
	Storage	1 x 2.5" 9.5 mm SATA drive	
	Expansion interface	2 x full size mini PCIe card slots 1 x supported mSATA	
	ONVIF	supported	
	System indicator	system power HDD active LAN #1 active LAN #2 active 2 x programmable LEDs	
	Vibration endurance	3 Grms w / SSD and 0.8 Grms w / HDD (5-500Hz, X, Y, Z direction; random)	
	Shock	comply EN 61373 section 10 table 3 category 1 class A and class B up to 5Grms (30ms, ±X/Y/Z direction)	
	Environmental	Operating temperature	-40°C ~ + 70°C
		Humidity	5% - 95%, non-condensing
	Electrial	PSU	9 ~ 36VDC typical: 12/24VDC
		Power consumption	12V: 12.4W / 16.2W 24V: 11.5W / 16.3W
	Mechanical	Dimensions (WxDxH mm)	163.8 x 108 x 44
		Weight (kg)	0.77

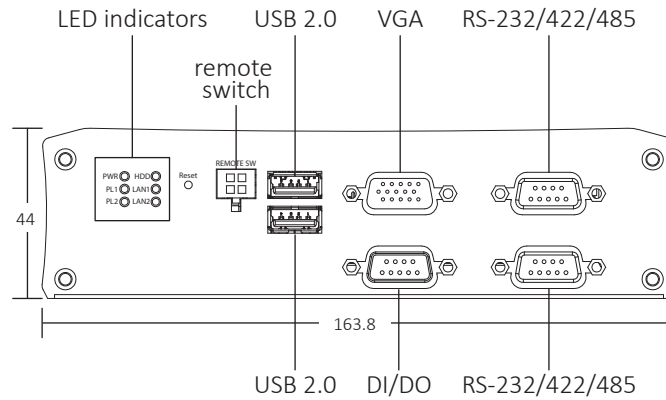
a) The actual video display performance may vary according to type of camera(s) and lighting condition.
 b) Product specifications and availability are subject to change without notice.
 c) Instek Digital is a registered trademark of Good Will Instrument Co., Ltd.

Models:

Description:

HR-VN5616	16 channels, M12 Gigabit LAN
HR-VN5609	9 channels, M12 Gigabit LAN
HR-VN5604	4 channels, M12 Gigabit LAN

Front View VN5600 Series



Rear View VN5600 Series

